



SRS

Multi-purpose sonic rig:

- Mineral sampling
- Environmental exploration
- Geotechnical sampling and testing
- Geo-constructional drilling
- Seismic drilling
- Customized solutions

The **SmallRotoSonic** excels through capturing the powerful sonic force in an extraordinarily small and manoeuvrable package. Why use direct push when 150Hz RotoSonic delivers faster and better results and provides extremely undisturbed samples.

 **SonicSampDrill**
a Royal Eijkelpark Company



SRS Crawler

SmallRotoSonic drill head

■ Sonic vibration oscillator output force	100kN @ 0-150 Hz	22480 lbf @ 0-150 Hz
■ 2 eccentrics, mechanically synchronized		
■ Rotation torque: clockwise 0-120 rpm	1.68 kNm @ 175 bar	1245 ft-lbf @ 2175 PSI
■ Rotation torque: counter clockwise	1.99 kNm @ 201 bar	1475 ft-lbf @ 2540 PSI

Rig

■ Kubato 4 cylinder water cooled engine	75 kW	100hp
■ Weight (depending on options)	3500 - 5000 kg	8000 - 10.000 lbs
■ Fuel tank (diesel)	83 liter	22 gallon
■ Load sense hydraulic system		
■ Control panel on turning arm		
■ High pressure water pump	19 l/min @ 210 bar	5 gpm @ 3045 PSI
■ Aluminum water tank	300 liter	79 gallon
■ Rubber tracks	width 1450 mm	4'9"
■ Radio remote for driving	Charger	2 batteries included
■ Casing rack		
■ Work lights		
■ Water pump for drilling	19 l/min @210 bar	5 gpm @ 3045 PSI
■ High pressure water pump	160 l/min @45 bar	42 gpm @ 652 PSI

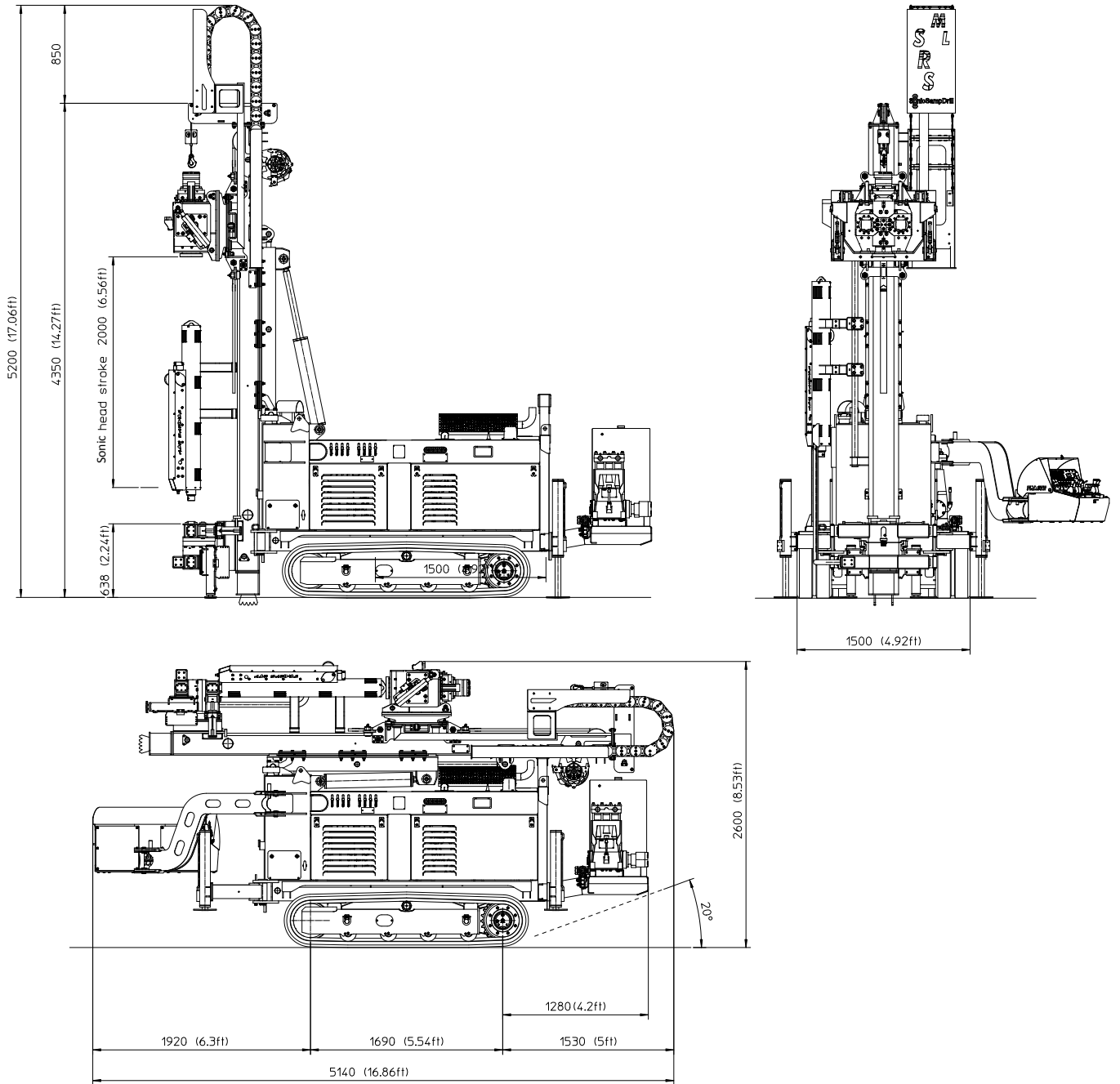
Fully automated rod or casing handler

- Magnetic road loading arm
- Casing or drill rod storage depends on diameter and length

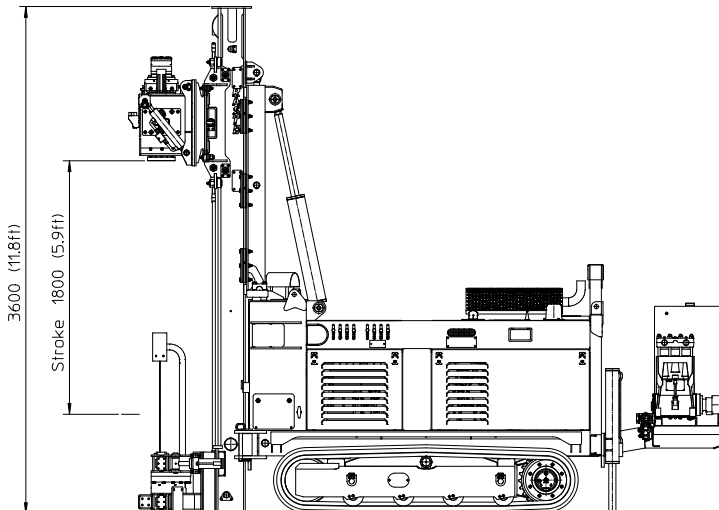
Safety isn't expensive, it's priceless!

SmallRotoSonic Crawler

SRS ML Long Stroke



SRS ML Short Stroke





Mast

Long stroke

■ Stroke	3500 mm	11'6"
■ Height (when drilling)	5455 mm	17'9"
■ Mast dump	600 mm	2'

Short stroke

■ Stroke	1830 mm	6'
■ Height (when drilling)	3500 mm	11'5"
■ Mast dump	600 mm	2'

■ Pull up	39.2 kN	8812 lbf
■ Pull down	26.5 kN	5957 lbf
■ Pull up and down speed	40 m/min	130 ft/min
■ Double hydraulic break out clamp	40 mm - 240 mm	1-1/2" - 9-1/2"
Adjustable clamping force of	97 kN	21805 lbf
Break out torque	20 kNm	14750 ft-lbf
Hydraulic break out cylinder		



Winch

■ Winch	1000 kg	2200 lbs
---------	---------	----------

Options

- SPT auto drop hammer with blow counter on control panel



More information or questions?



SonicSampDrill HQ
SonicSampDrill LatAm
SSD North America

The Netherlands
Colombia
United States/Canada

T +31 313 880201
T +34 639 620 052
T +1 413 329 7525

sales@sonicsampdrill.com
www.sonicsampdrill.com
www.royaleijkelkamp.com