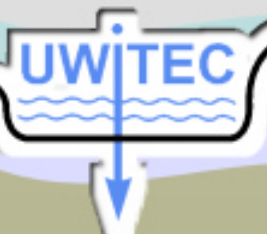
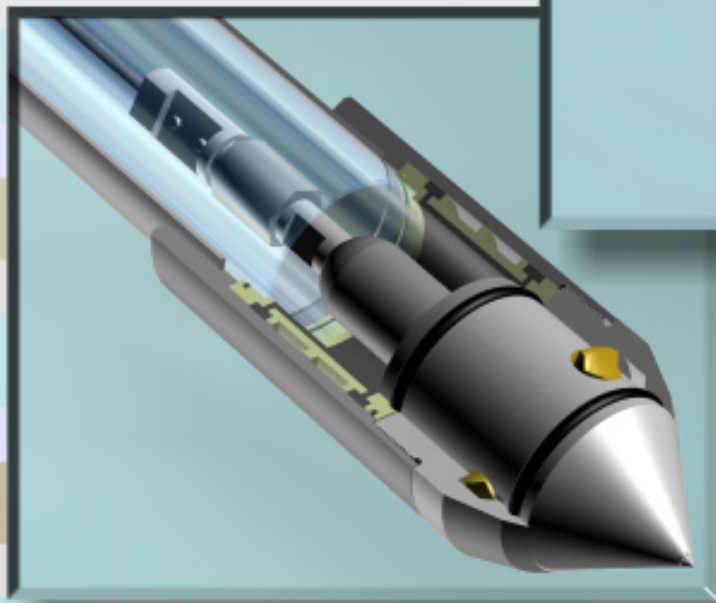
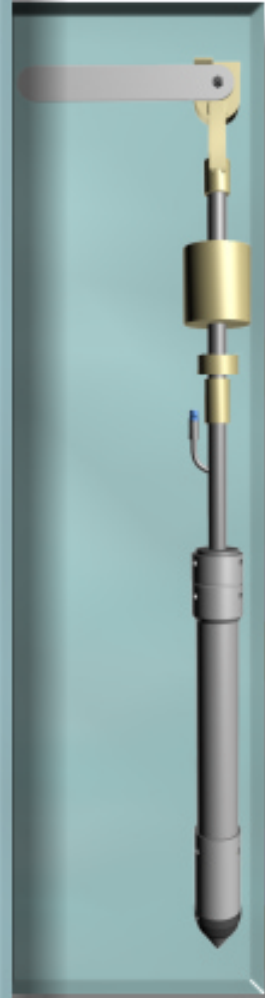
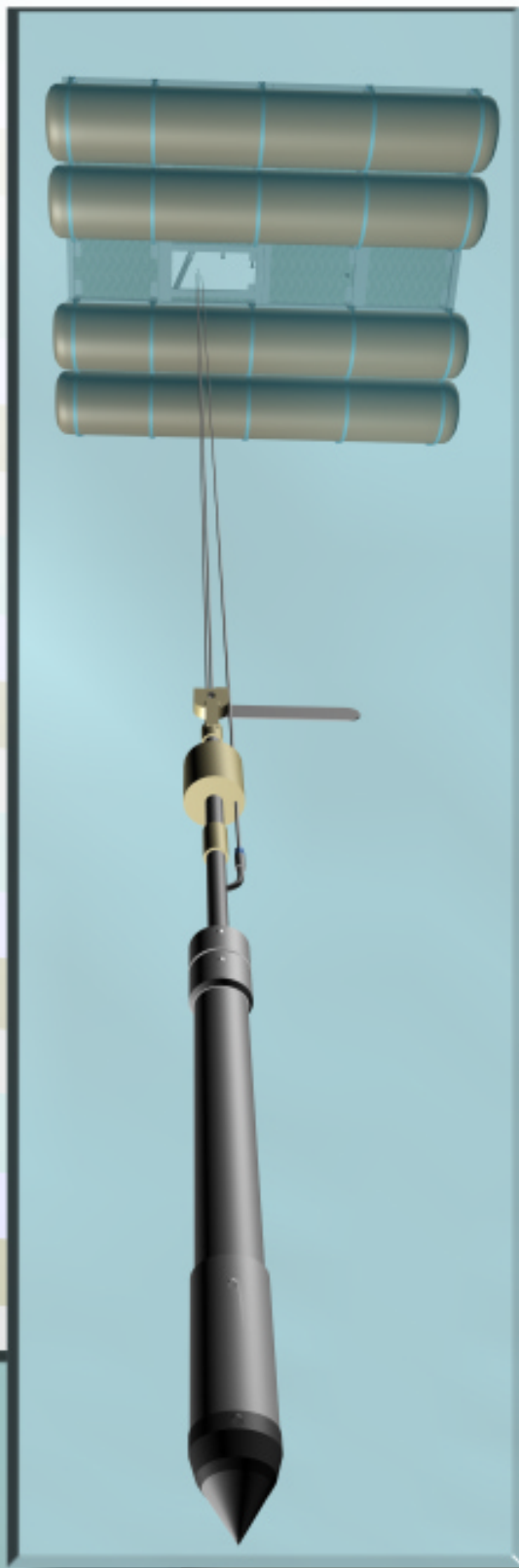


**SEDIMENT
BOHRGERÄT**

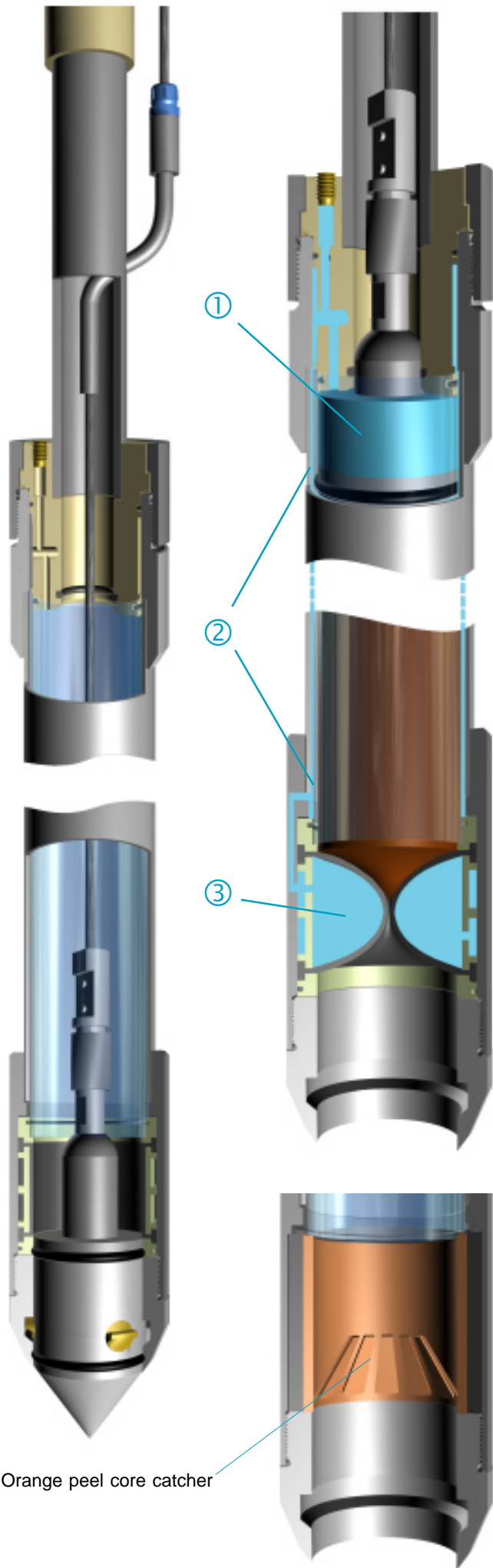
**PISTON
CORER**



Umwelt und Wissenschaftstechnik

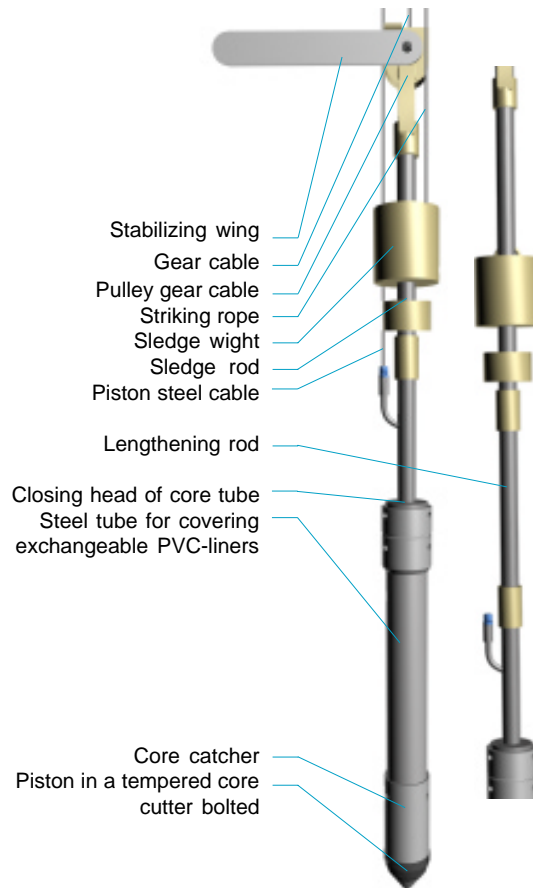
A-5310 Mondsee, Moosbachweg 10, Tel.: +43-6232-3946, Fax: 3946-30

E-Mail: uwitec@netway.at, Home Page: <http://www.uwitec.at>



Piston Corer

- For water-depth up to 140 m
- The gear cable runs over a pulley (at top of striking rod) there for half load of the winch and double security when pulling the piston corer out of the sediment.
- Drillcore diameter 36, 60 or 86 mm
- Bolttip for continual boring to 20 m sediment depth
 - Orange peel core catcher for hard sediment
 - Special hydraulic core catcher for soft sediment
- The operation with 2 - 3 persons
- All pieces are from refined steel or coatet



HYDRAULIC CORE CATCHER FUNCTION

- ① If the steeltube is full, the piston goes to the upper end
- ② The piston press the water in the opening between PVC-Liner and steel tube
- ③ The rubber sleeve of the hydraulic core catcher will be closed

TECHNICAL DATAS

Lengthening rods	m	2 - 5
PVC-Liner inside diameter	mm	36 / 60 / 86
Steel tube length	m	1,2 - 5
Water depth	m	0 - 140
Sledge wight	kg	20 / 40 / 60